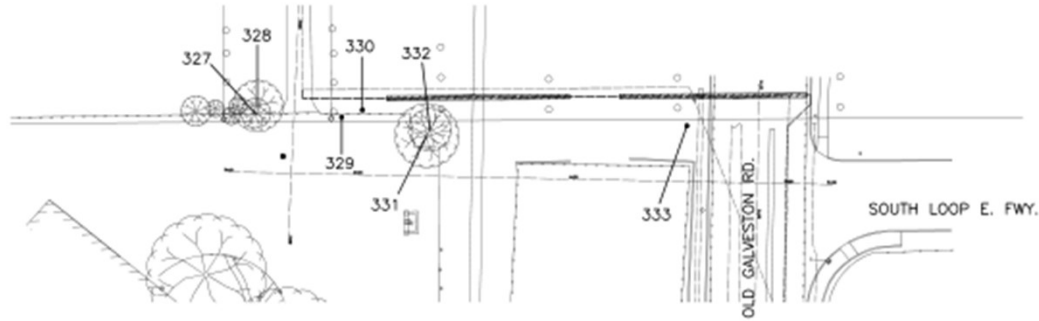


# TREE PROTECTION PLAN - PLUM CREEK



TREE PRESERVATION PLAN LEGEND	
	TREE NUMBER/LOCATION
	TREE TO BE REMOVED
	TREE PROTECTION FENCE
	ROOT PRUNING TRENCH

Tree No.	Location	Description	Comments	Treatment
<b>Trees along Old Galveston Road</b>				
327	2500 Old Galveston	5" Mimosa	Private tree	
328	2500 Old Galveston	4" Wax Myrtle	Private tree	
329	2500 Old Galveston	6" Wax Myrtle	Easement	
330	2500 Old Galveston	4" Savannah Holly	Easement	
331	2500 Old Galveston	8" Mimosa	Easement	
332	2500 Old Galveston	4" Mimosa	Easement	
333	2500 Old Galveston	8" Mulberry	Easement	

**NOTE:**

- THIS TREE PROTECTION PLAN WAS DEVELOPED WITH INFORMATION PROVIDED BY DESIGN ENGINEER IN DRAWINGS DATED MAY 2019. THE PLAN CONSIDERS ALL FITTINGS, VERTICAL OFFSETS AND AREAS OF NECESSARY EXCAVATION. CHANGES MADE TO DESIGN MAY COMPROMISE THE TREE PROTECTION PLAN. REFER SPECIFICATIONS 01562 AND 02915. CONDITION OF EACH TREE IS BASED ON VISUAL EVALUATION AT TIME OF DESIGN. CONDITION AND STRUCTURAL INTEGRITY OF EACH TREE IS NOT GUARANTEED BY DESIGNER AT ANY POINT IN THE FUTURE, AS ENVIRONMENTAL AND MAINTENANCE INFLUENCES ON EACH TREE CAN NOT BE DETERMINED BY DESIGNER.
- IN AREAS WHERE INDIVIDUAL TREES HAVE NOT BEEN TIED IN BY SURVEY APPROXIMATE LOCATION IS INDICATED ON TPP. ACCURACY OF REPRESENTED LOCATION CANT, AND IS NOT GUARANTEED BY DESIGNER.
- THE CONTRACTOR'S ARBORIST WILL MARK LOCATIONS OF THE NEW TREES AND OBTAIN APPROVAL BY THE CITY ENGINEER AND CITY FORESTER BEFORE PURCHASING AND PLANTING TREES.

**FORCE MAIN RENEWAL AND REPLACEMENT FOR PLUM CREEK,  
TANYA CIRCLE, AND OLD STONE TRAIL (PACKAGE 3)  
WBS R-000035-011B-4**

