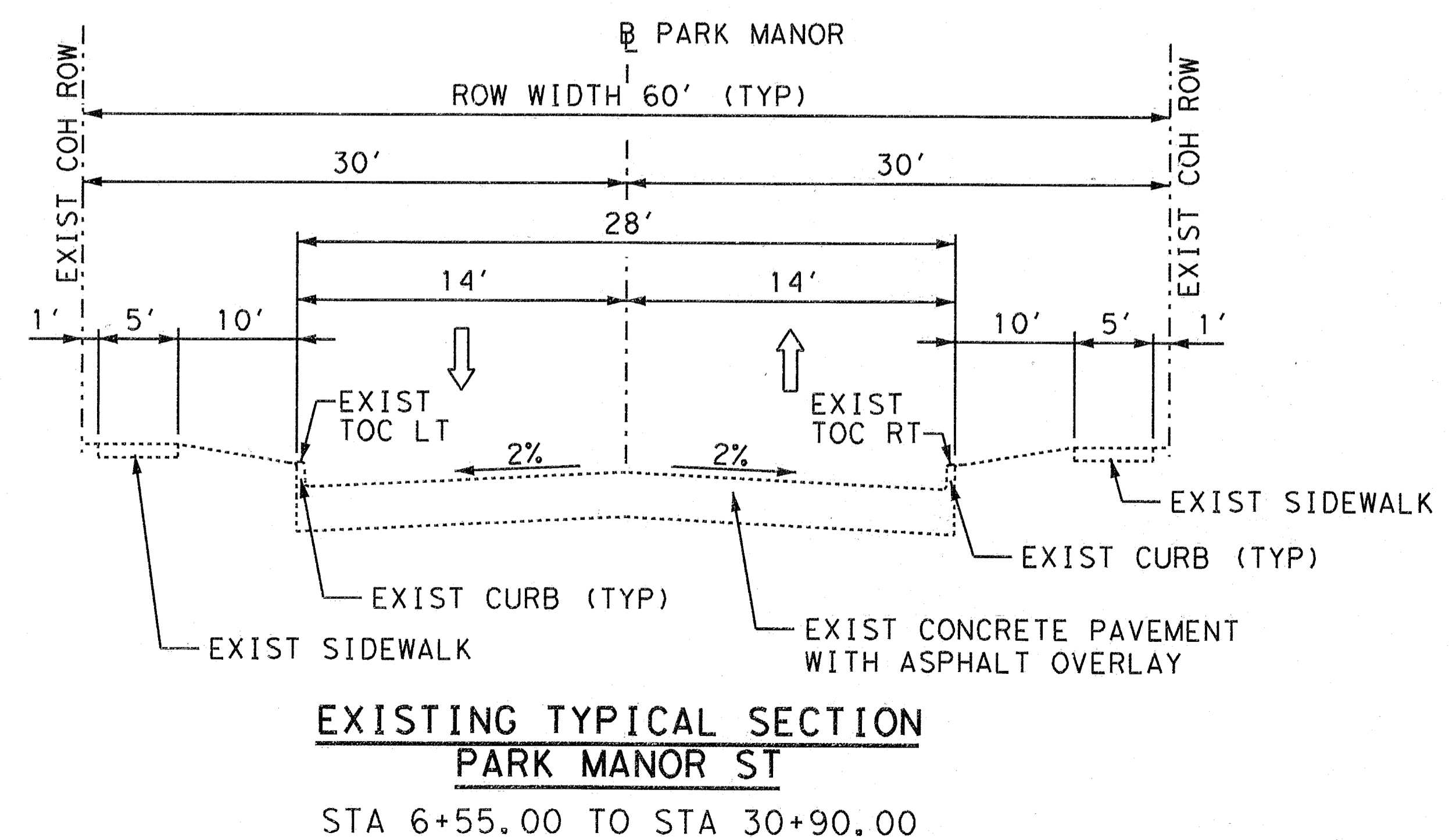
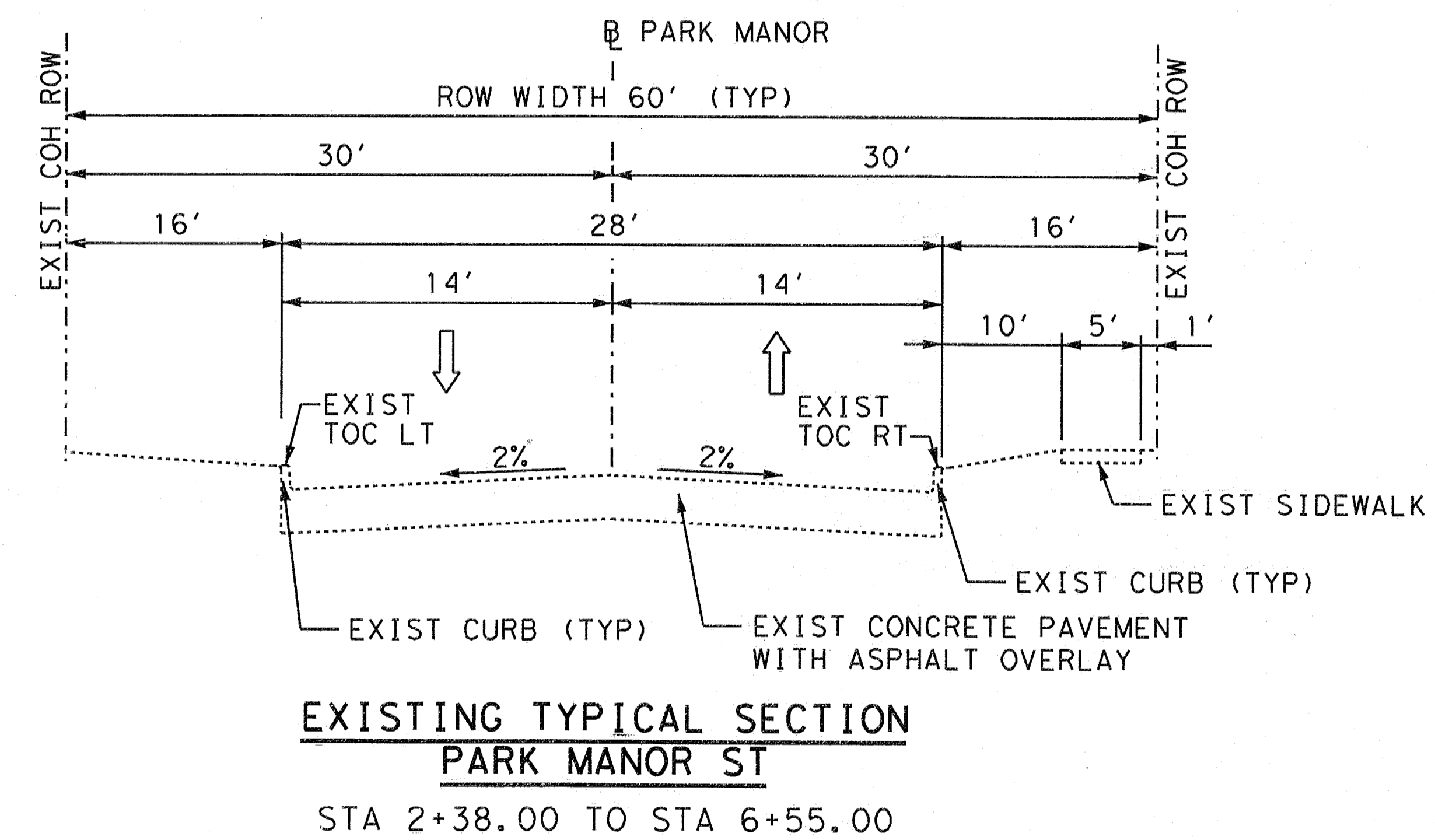
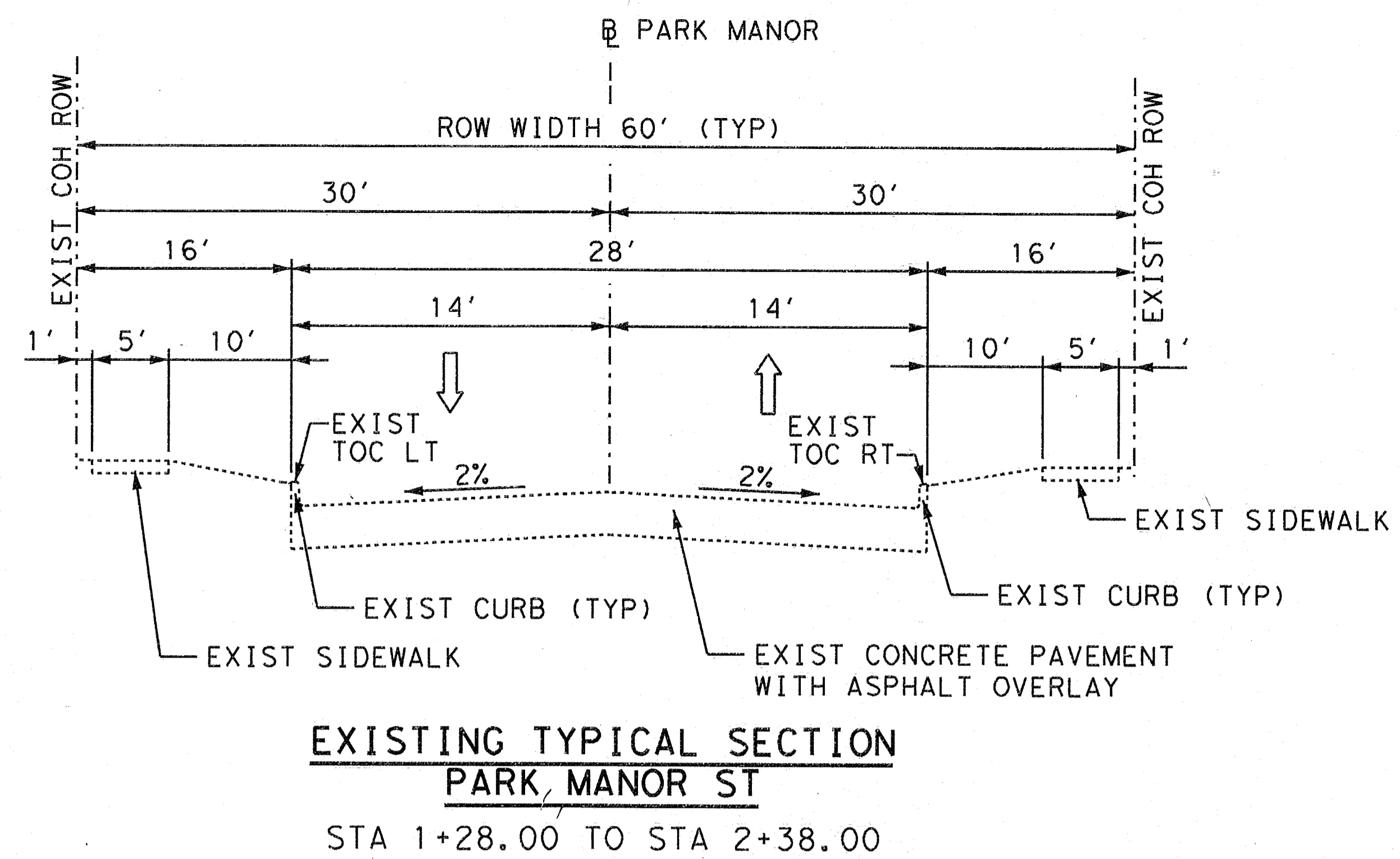
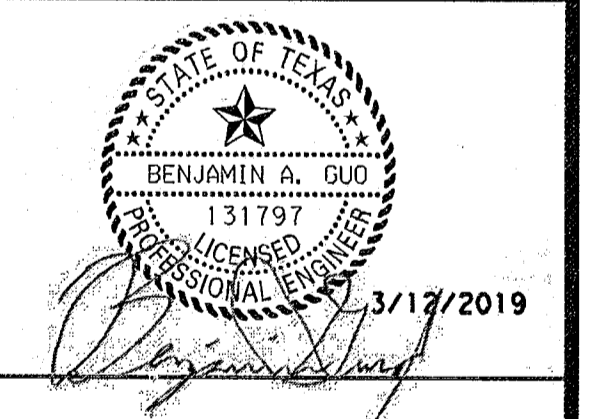


NOTES:

1. EXISTING AND PROPOSED PROFILE WILL BE AT TOP OF CURB LT AND RT.
2. DIMENSIONS ARE BACK OF CURB TO BACK OF CURB.



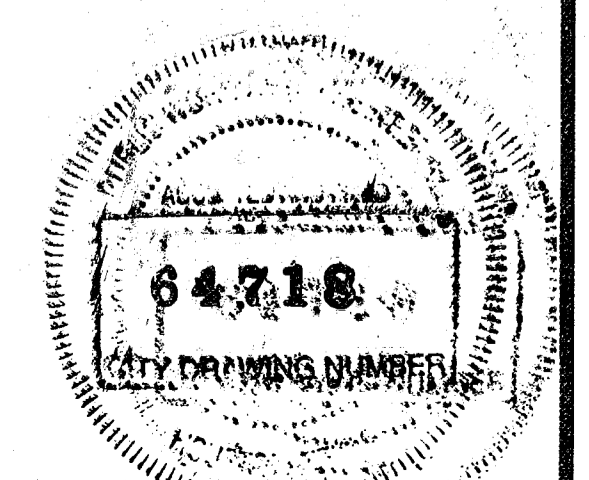
REV NO	DESCRIPTION	APP'D	DATE



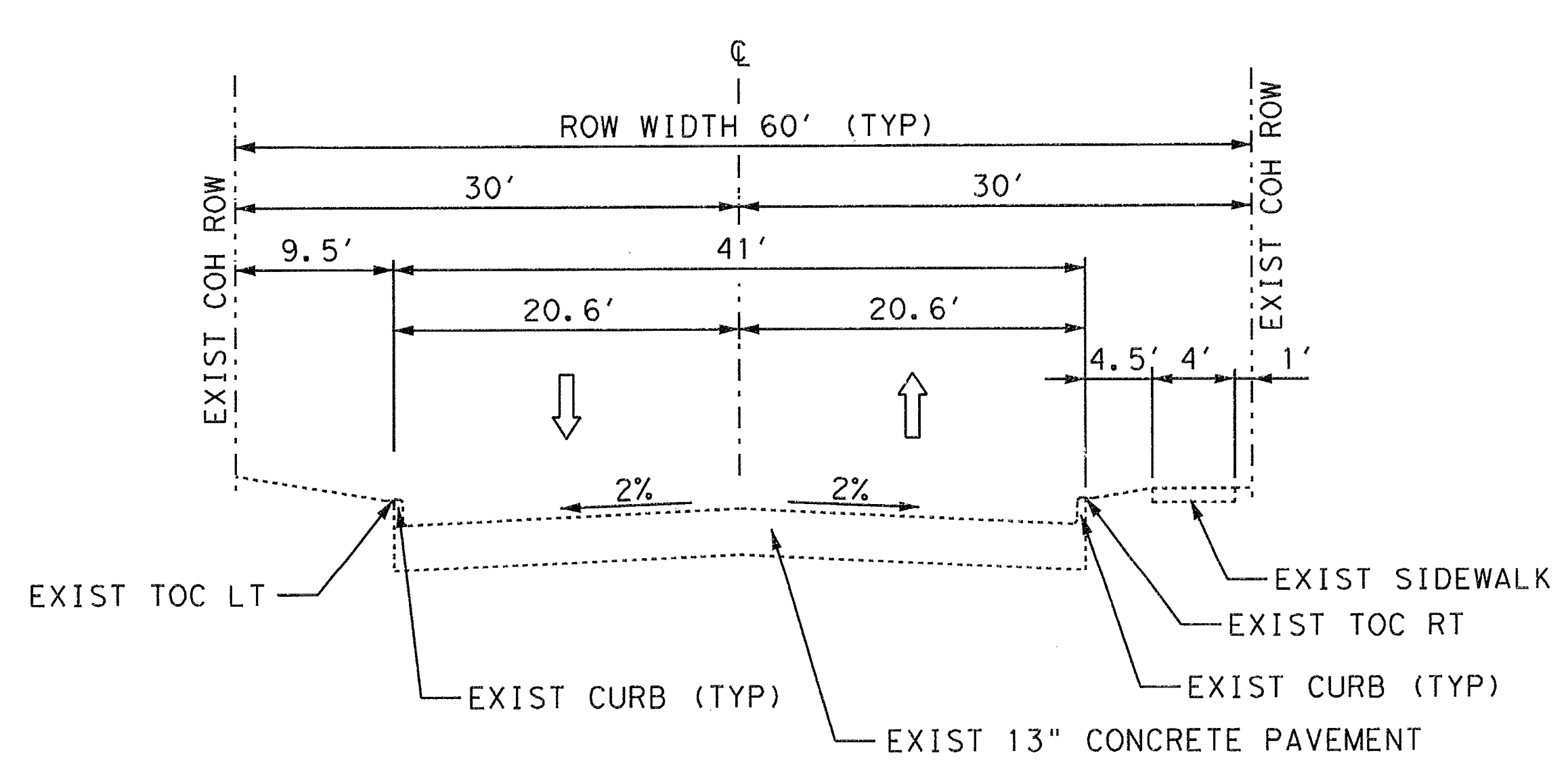
SURVEYED BY:
TSC SURVEYING, Inc
COH FB: P-6043

CITY OF HOUSTON
HOUSTON PUBLIC WORKS
ROADWAY PAVEMENT REPLACEMENT
PROJECT
**PARK MANOR
EXISTING
TYPICAL SECTIONS**

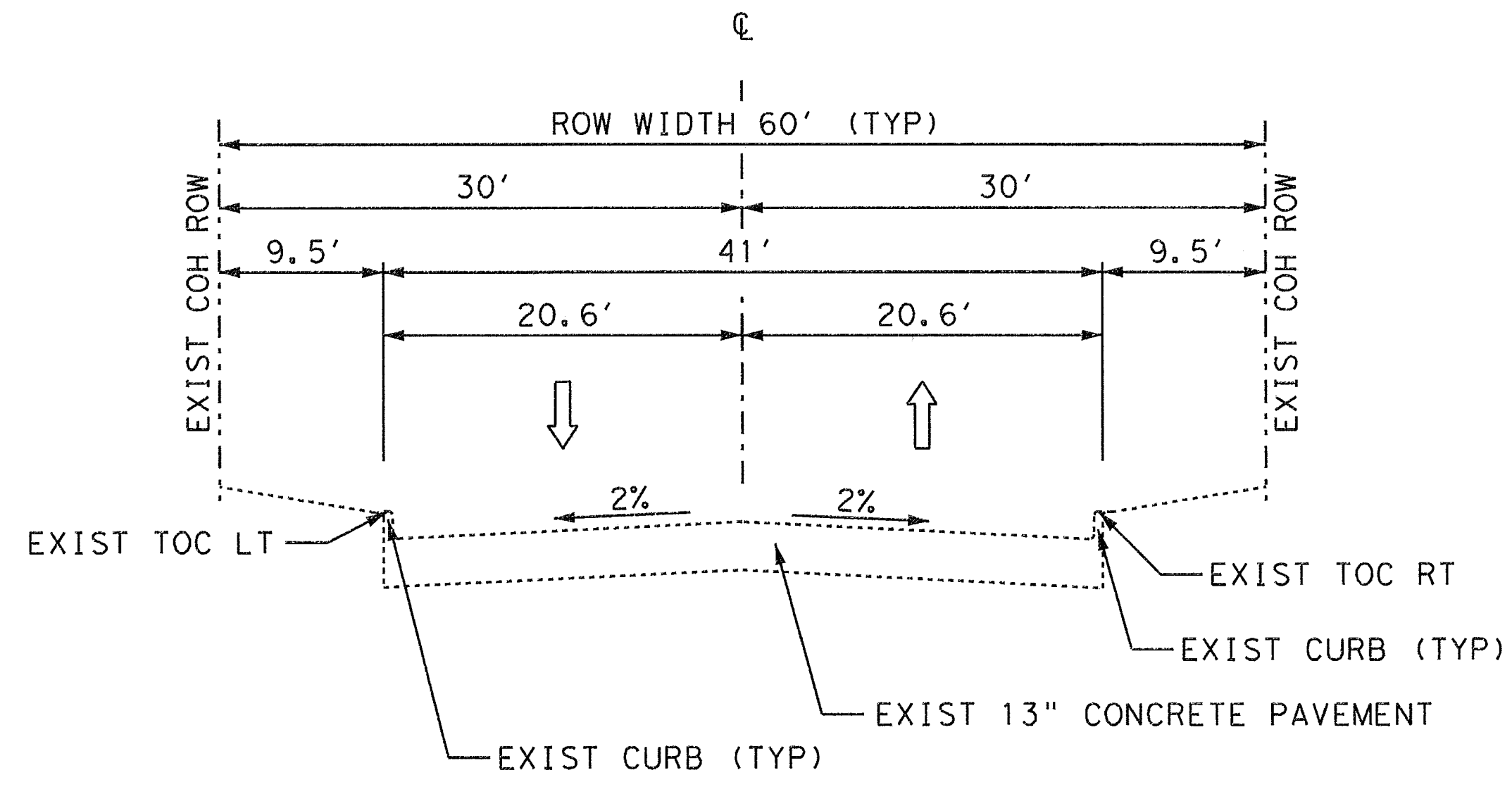
WBS NUMBER	N-321039-001B-4
DRAWING SCALE	NTS
CITY OF HOUSTON PM	NAWARAJ PANTA, P.E.
SHEET NO. 60 OF 101	



No.	Date	Description



EXISTING TYPICAL SECTION
SURREY SQUARE ST
 STA 1+00.00 TO STA 5+00.00



EXISTING TYPICAL SECTION
SURREY SQUARE ST
 STA 5+00.00 TO STA 23+40.00

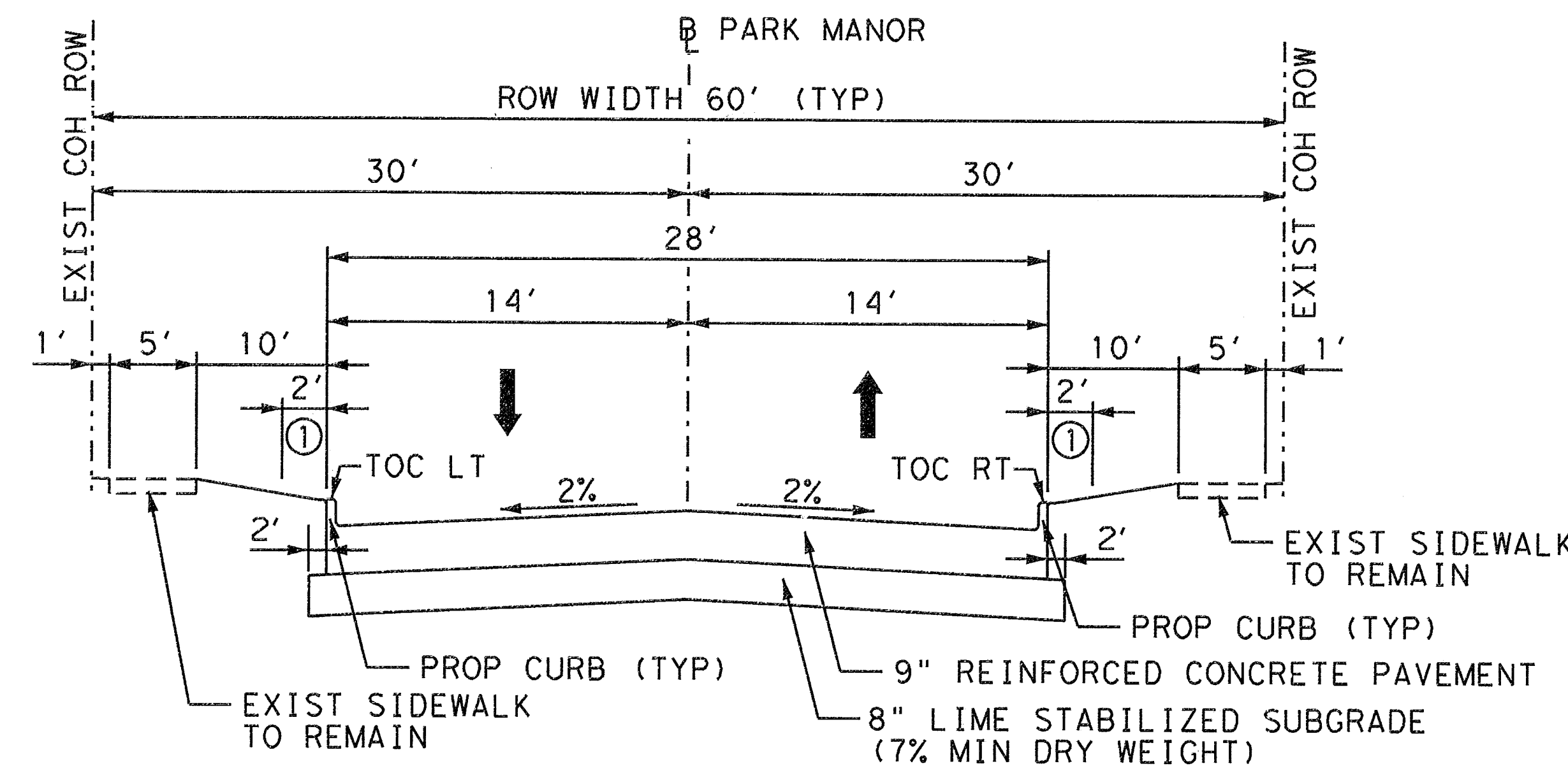
- NOTES:**
1. PGL = PROFILE GRADE LINE
 2. ROADWAY WIDTHS ARE FROM BACK OF CURB TO BACK OF CURB

NOT TO SCALE

7/11/2019 12:09:42 PM H:\TXPROJ\TX2350-00\DWG\General\A_RSR_EXIST_TYPICAL_SECTIONS_01.dgn

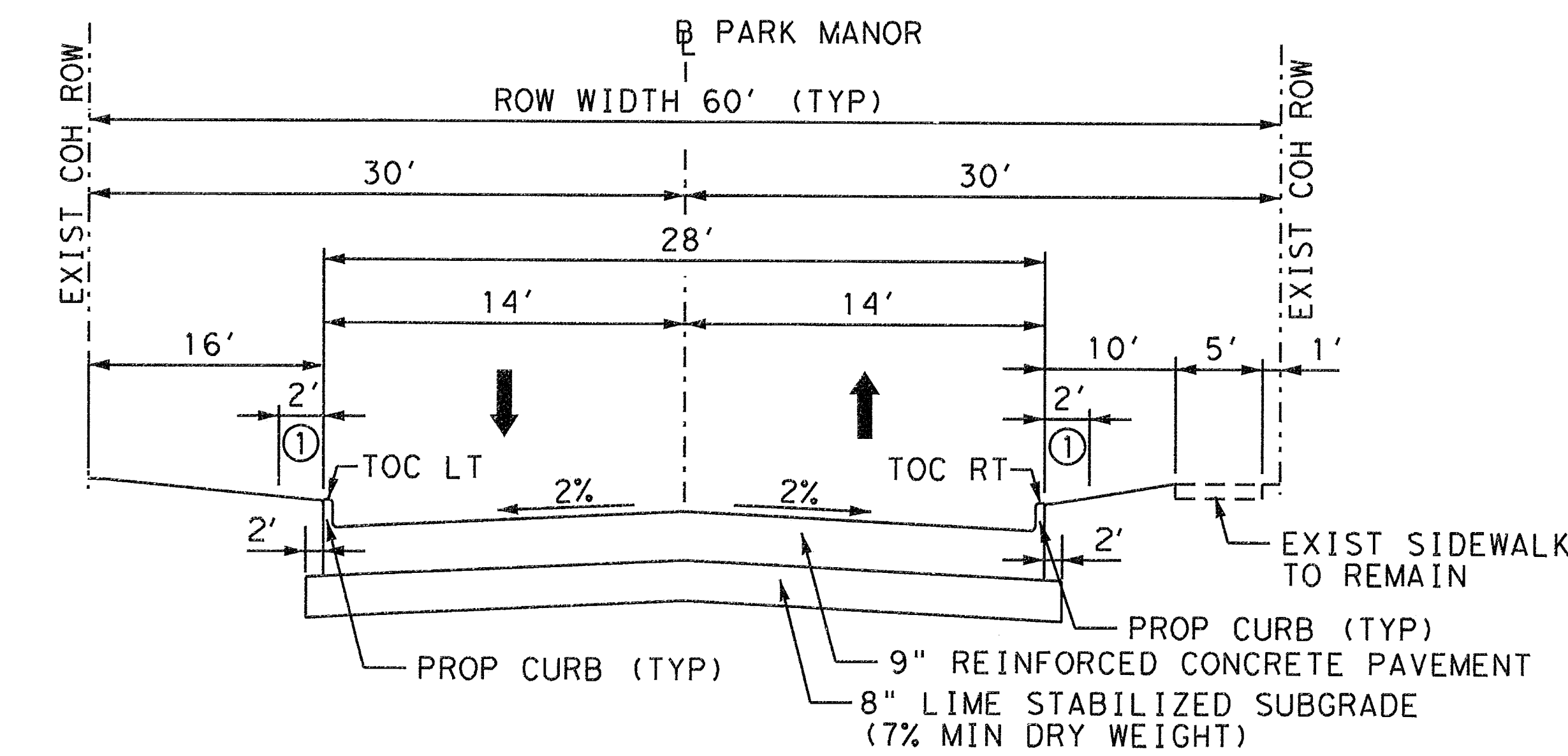
 SURVEYED BY: TSC SURVEYING, INC FB NO. P-6043	 <i>S. Patil</i> 7/11/2019
SHEET OF	
WBS NUMBER N-321039-001B-4	
DRAWING SCALE NTS	
CITY OF HOUSTON PM NAWARAJ PANTA, P.E.	
SHEET NO. 61 OF 101	

H:\TXPROJ\TX2350-00\DWG\General\A_RSR_EXIST_TYPICAL_SECTIONS_01.dgn



**PROP TYPICAL SECTION
PARK MANOR ST**

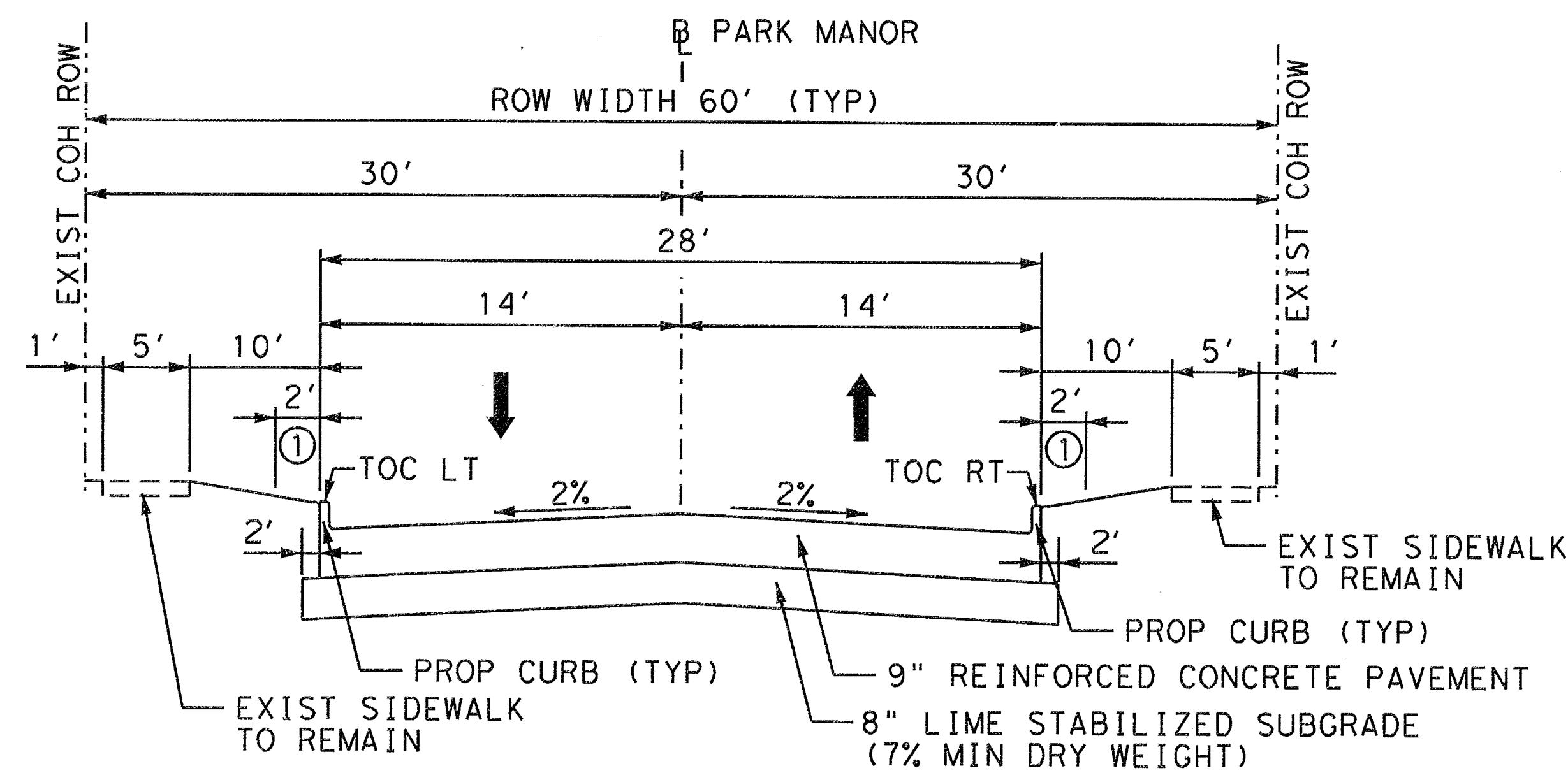
STA 1+28.00 TO STA 2+38.00



**PROP TYPICAL SECTION
PARK MANOR ST**

STA 2+38.00 TO STA 6+55.00

- NOTES: 1. SIDEWALK REPLACEMENT ONLY WHERE WARRANTED
2. PROP PAVEMENT MEETS MINIMUM IDM CRITERIA



**PROP TYPICAL SECTION
PARK MANOR ST**

STA 6+55.00 TO STA 30+90.00

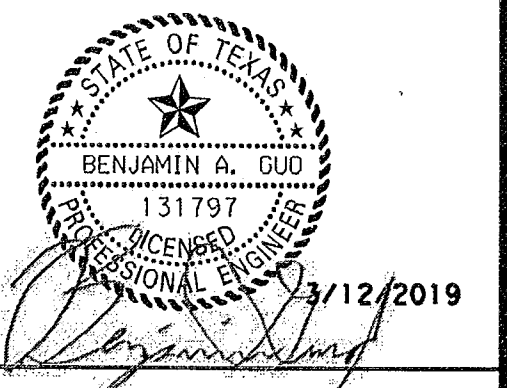
LEGEND

- ① LIMITS OF SOD

NOTES:

- EXISTING AND PROPOSED PROFILE WILL BE AT TOP OF CURB LT AND RT.
- DIMENSIONS ARE BACK OF CURB TO BACK OF CURB.
- REFER TO COH PAVEMENT DETAIL DWG NO. 02751-01 FOR REINFORCING STEEL INFO.
- SUBGRADE WIDTH BEYOND CURB WILL BE 2' UNLESS LIGHT POLE, TREES OR OTHER OBSTRUCTIONS IS ENCOUNTERED.

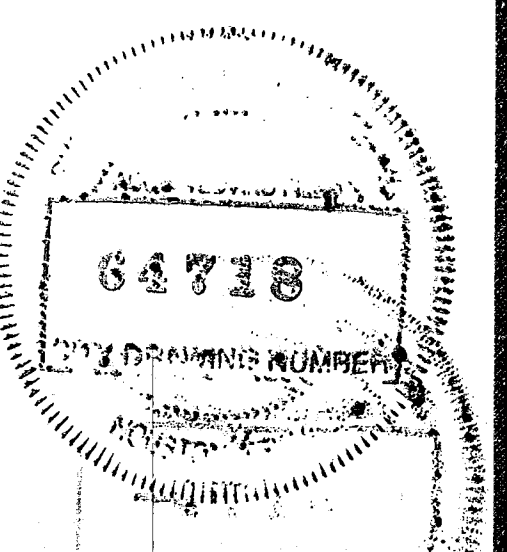
REV NO	DESCRIPTION	APP'D	DATE



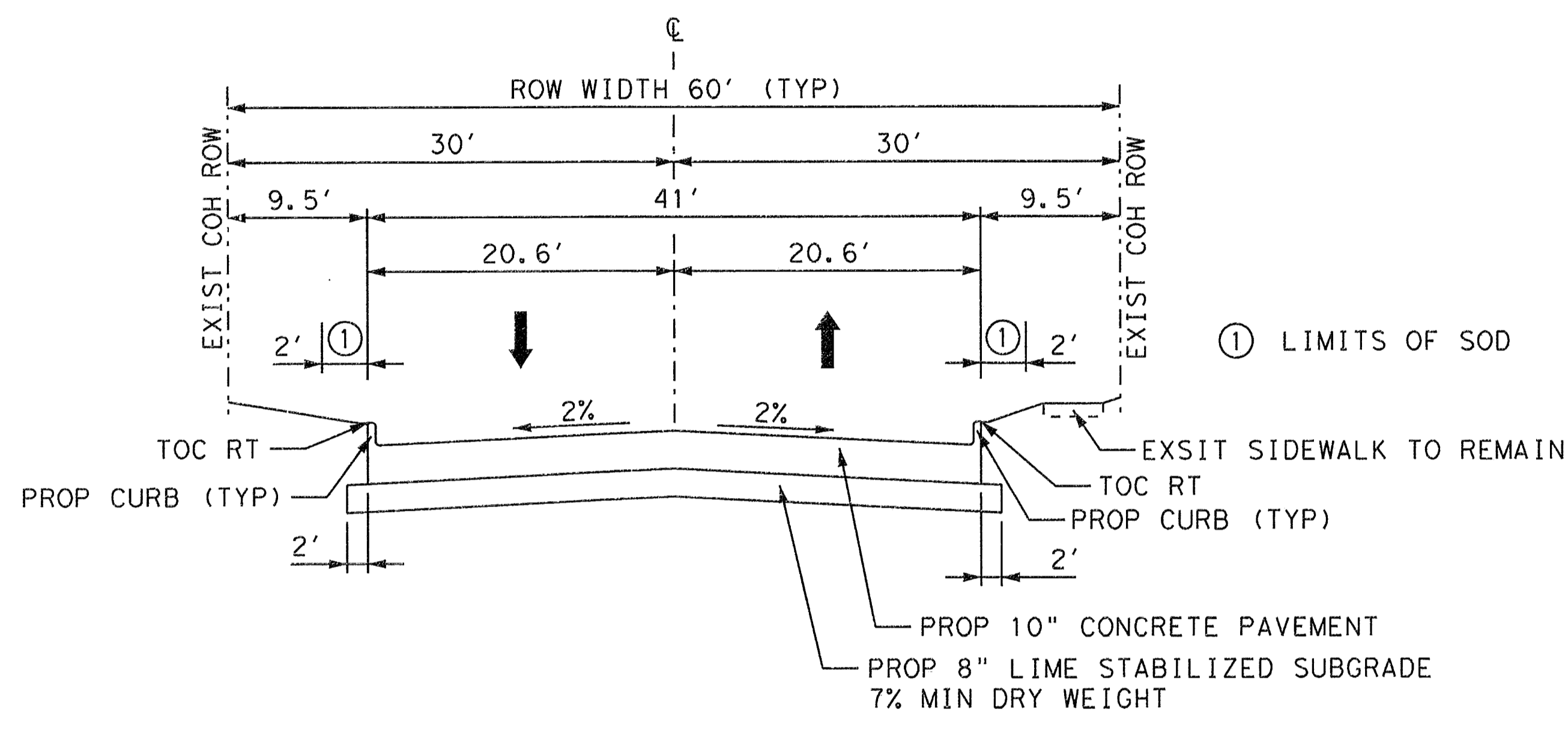
SURVEYED BY:
TSC SURVEYING, Inc
COH FB: P-6043

CITY OF HOUSTON
HOUSTON PUBLIC WORKS
ROADWAY PAVEMENT REPLACEMENT PROJECT
PARK MANOR PROPOSED TYPICAL SECTIONS

WBS NUMBER	N-321039-001B-4
DRAWING SCALE	NTS
CITY OF HOUSTON PM	NAWARAJ PANTA, P.E.
SHEET NO.	62 OF 101




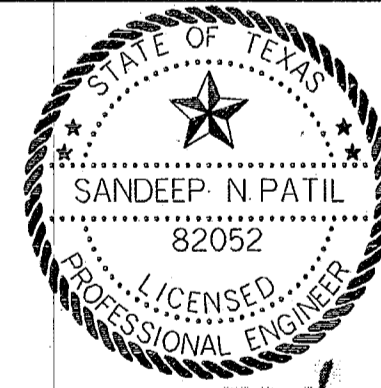
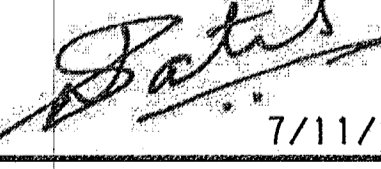
No.	Date	Description	App.



PROP TYPICAL SECTION
SURREY SQUARE ST
 STA 1+00.00 TO STA 23+40.00

- NOTES:
1. PGL = PROFILE GRADE LINE
 2. ROADWAY WIDTHS ARE FROM BACK OF CURB TO BACK OF CURB
 3. REFER TO COH PAVEMENT DETAIL DWG. NO. 02571-01 FOR REINFORCEMENT STEEL INFO
 4. SUBGRADE WIDTH BEYOND CURB WILL BE 2' UNLESS LIGHT POLE, TREES OR OTHER OBSTRUCTION IS ENCOUNTERED

NOT TO SCALE

 CONSOR <small>F-12910</small>	 SANDEEP N. PATIL <small>82052</small> <small>LICENSED PROFESSIONAL ENGINEER</small>
<small>SURVEYED BY:</small> TSC SURVEYING, INC <small>FB NO. P-6043</small>	
 <small>7/11/2019</small>	
CITY OF HOUSTON <small>HOUSTON PUBLIC WORKS</small>	
<small>ROADWAY PAVEMENT REPLACEMENT PROJECT</small> SURREY SQUARE ST PROPOSED TYPICAL SECTIONS	
<small>WBS NUMBER</small> N-321039-001B-4 <small>DRAWING SCALE</small> NTS <small>CITY OF HOUSTON PM</small> NAWARAJ PANTA, P.E. SHEET NO. 63 OF 101	